



NZE LAB

LES: Thermal Performance Testing of Solar Hot Water Tanks

DESCRIPTION OF THE INFRASTRUCTURE

Name of the infrastructure: LES

Location (town, country): LNEG, Polo do Lumiar, Lisbon, Portugal

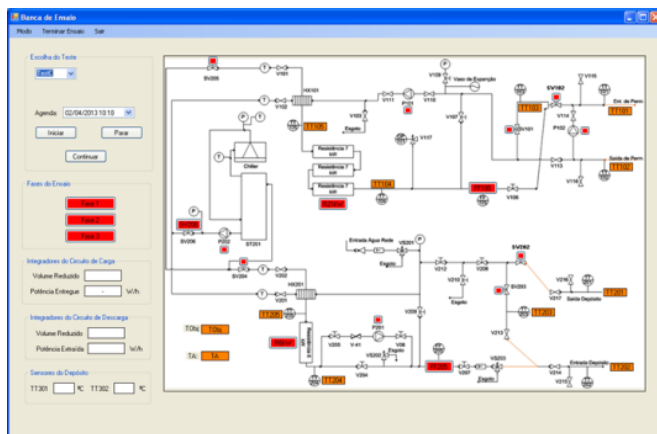
Web-site: www.lneg.pt

Legal name of the organization operating the infrastructure: LNEG

Location:

SERVICE PROVIDED

Service Name: Thermal Performance Testing of Solar Hot Water Tanks



Associated equipment:

- Test bench for thermal performance measurement of Solar Hot Water Tanks

Method:

- According to EN 12977-3 and EN 12977-4

Deliverables:

- Test report with the Thermal Performance characterization of the tank according to EN 12977-3 and EN 12977-4.

Testing period (weeks/year): To be defined

Costs:

- On request

Contact: Maria João Carvalho, mjoao.carvalho@lneg.pt